

**WARNING:**

Small parts and sharp points may be present prior to assembly.

**Care Instructions**

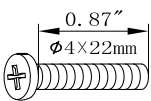
To clean your product, use mild soap and water on a damp cloth. Do not use window cleaners or cleaning abrasives as they will scratch the surface and could damage the protective coating.

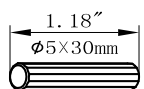
**Customer Service**

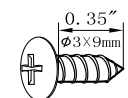
For questions regarding this product, or to receive replacement or missing parts, please contact customer service based on your location. Please have ready the model number and part number(s) located in this assembly instruction sheet when you contact us.

[www.teamsonkids.com](http://www.teamsonkids.com)

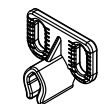
**HARDWARE :**

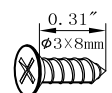
①  51PCS

②  17PCS

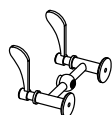
③  20PCS

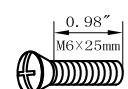
④  5PCS

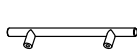
⑤  5PCS

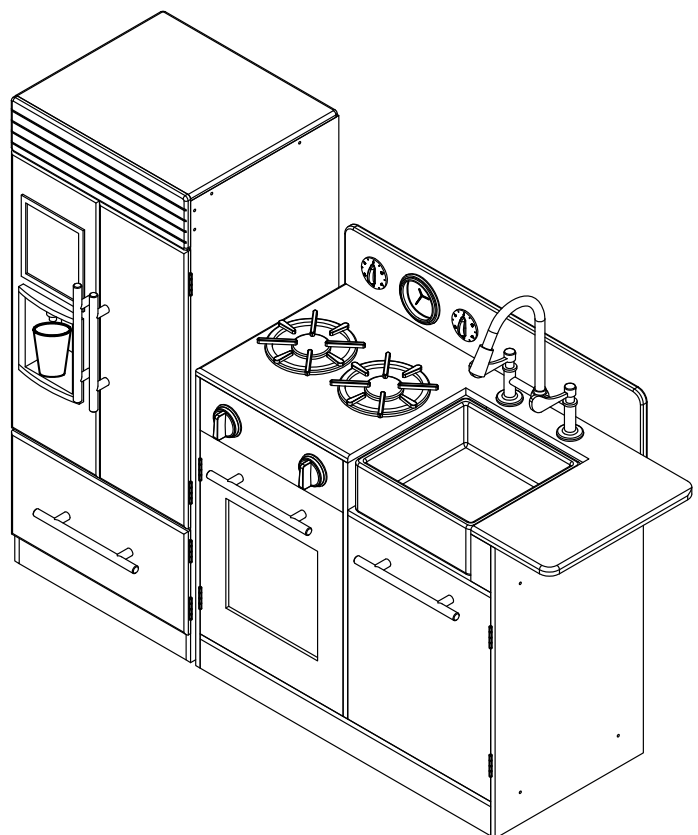
⑥  20PCS

⑦  1PC

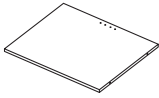
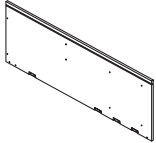
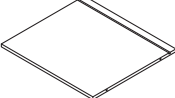
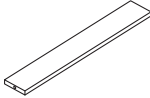
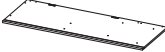
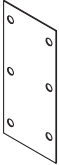
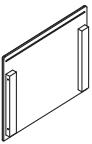
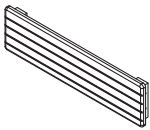

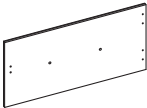

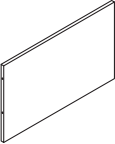
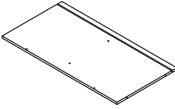

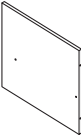
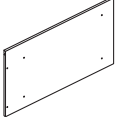
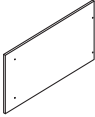
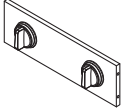
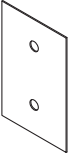

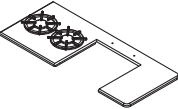
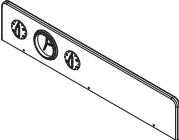
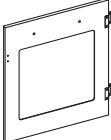
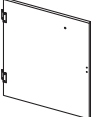
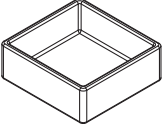
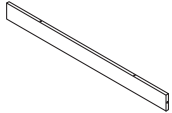
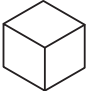

⑧  1PC

⑨  1PC


⑩  5PCS



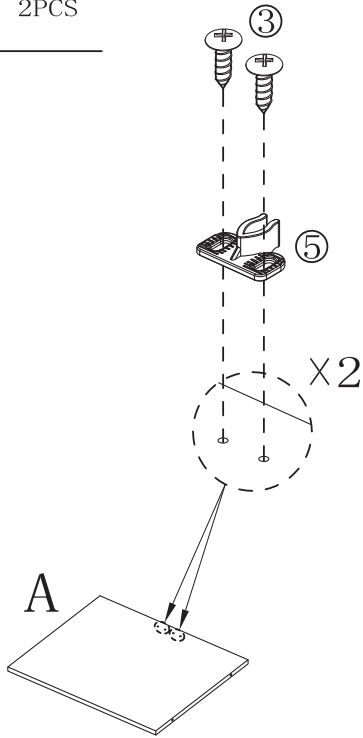
# PRODUCT PARTS:

A	B	C	D	E	F
					
1PC	1PC	1PC	1PC	1PC	1PC
G	H	I	J	K	L
					
1PC	1PC	1PC	1PC	1PC	1PC
M	N	O	P	Q	R
					
1PC	1PC	1PC	1PC	1PC	1PC
S	T	U	V	W	X
					
2PCS	1PC	1PC	1PC	1PC	1PC
Y	Z	(12)	(13)		
					
1PC	1PC	2PCS	1PC		

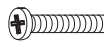
# Step 1

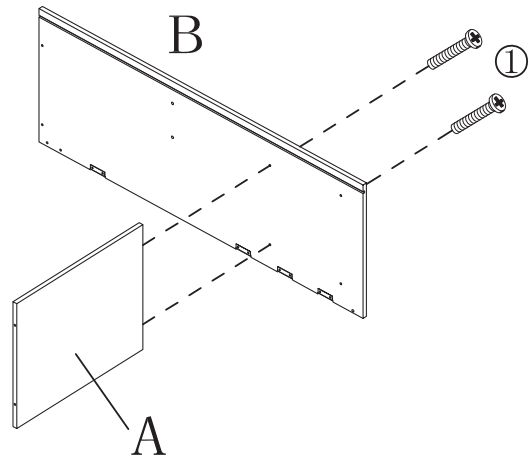
③  4PCS  
φ3×9mm

⑤  2PCS

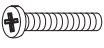


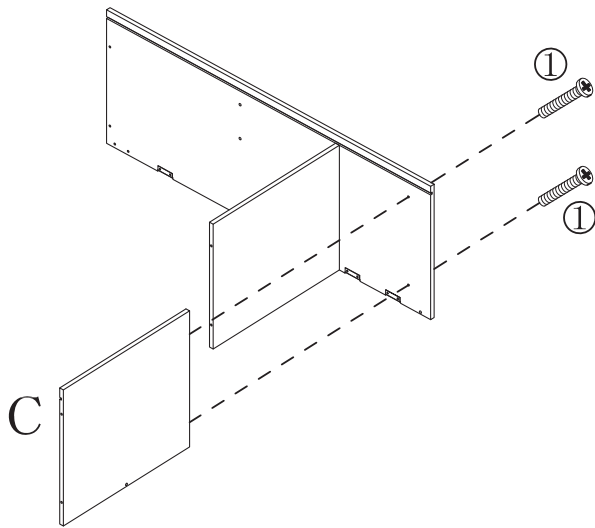
# Step 2

①  2PCS  
φ4×22mm




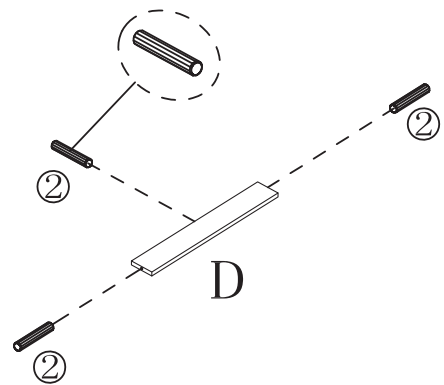
# Step 3

①  2PCS  
φ4×22mm

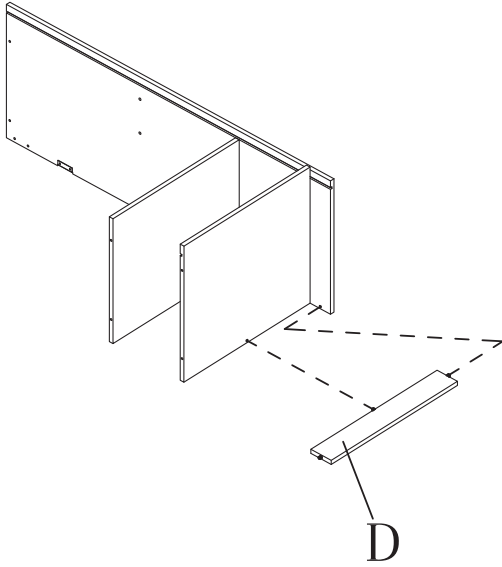


# Step 4

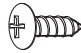
②  3PCS  
φ5×30mm



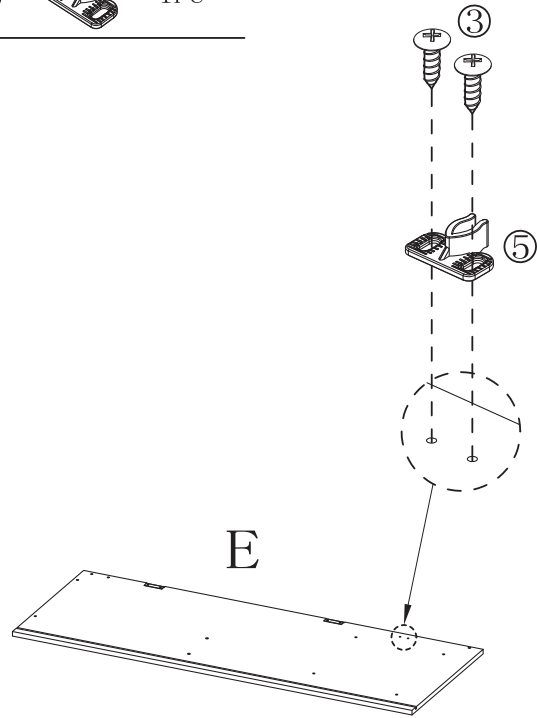
## Step 5



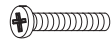
## Step 6


③  2PCS  
Ø3×9mm

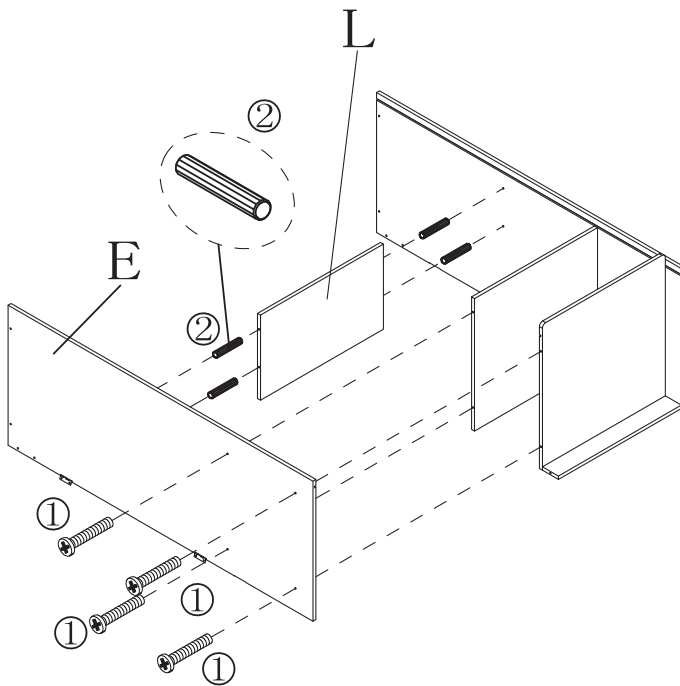
⑤  1PC



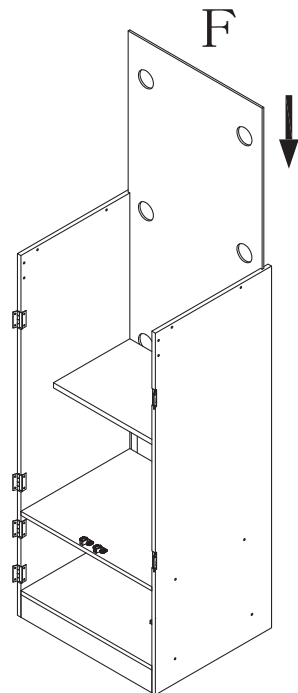
## Step 7

①  4PCS  
Ø4×22mm


②  4PCS  
Ø5×30mm

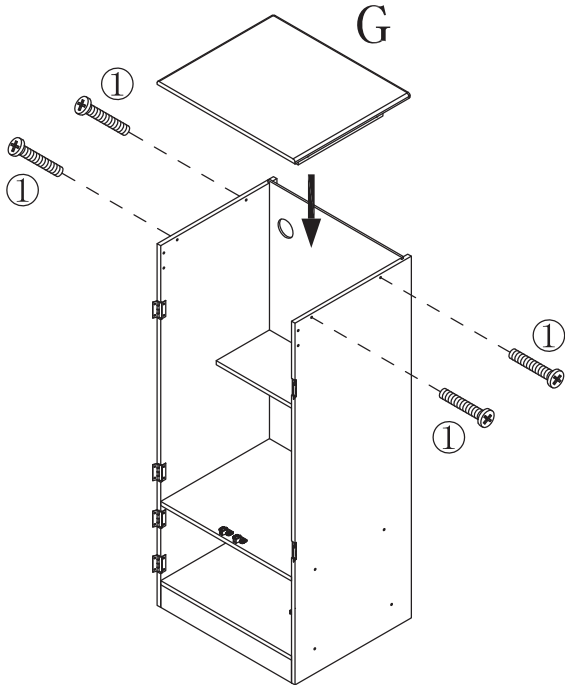


## Step 8




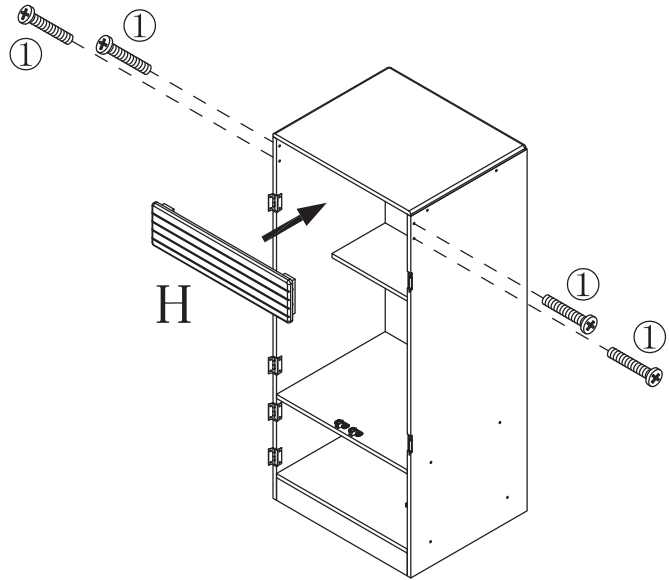
## Step 9

- ①  4PCS  
φ4×22mm



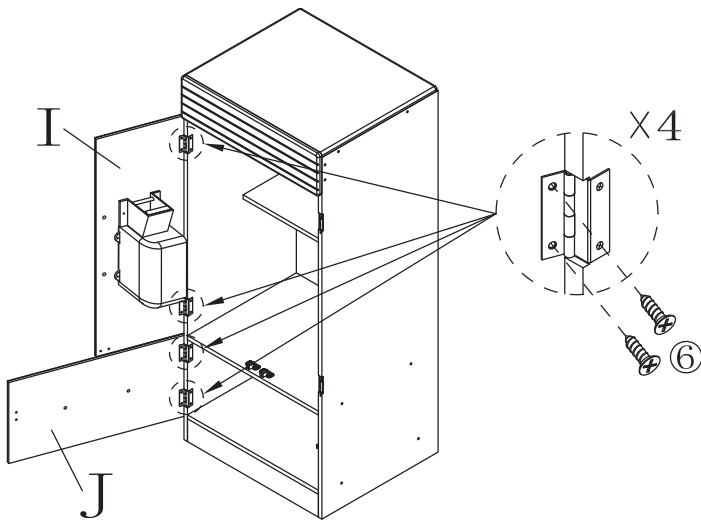
## Step 10

- ①  4PCS  
φ4×22mm

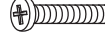


## Step 11

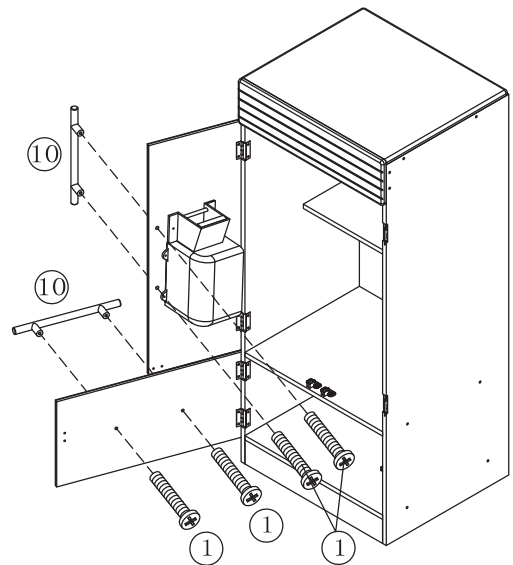
- ⑥  8PCS  
φ3×8mm



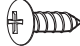
## Step 12

- ①  4PCS  
φ4×22mm

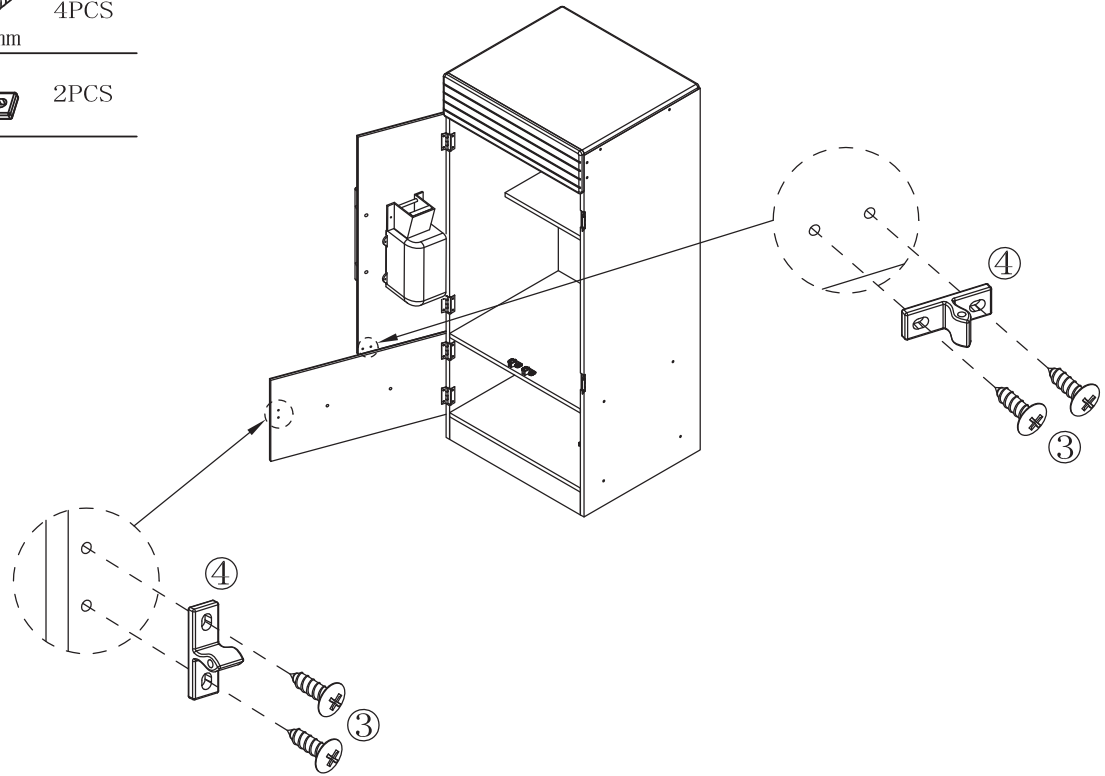
- ⑩  2PCS



# Step 13

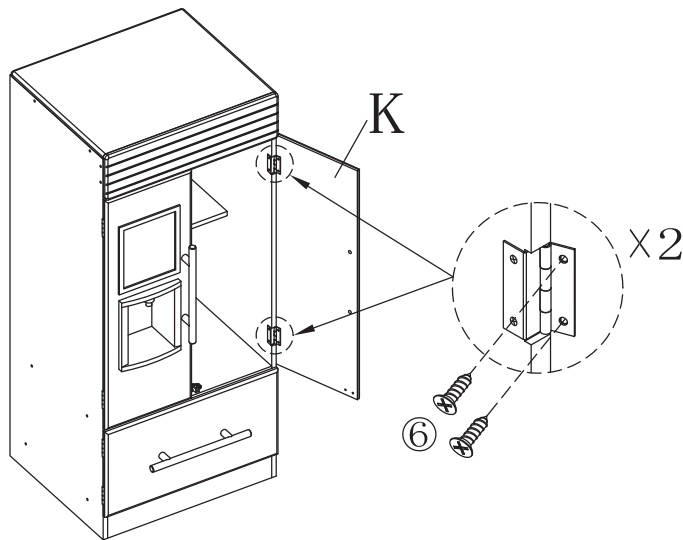
③  4PCS  
Ø3×9mm

④  2PCS

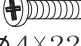


# Step 14

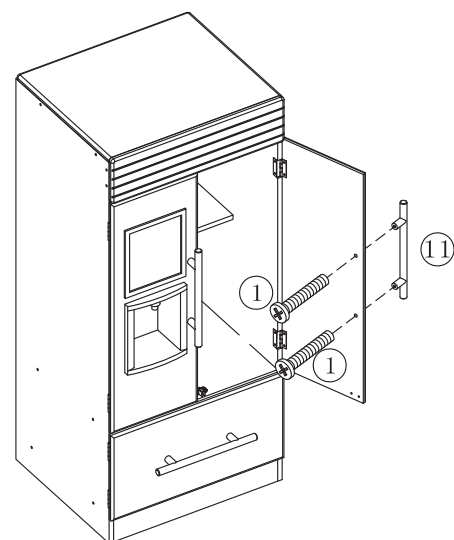
⑥  4PCS  
Ø3×8mm



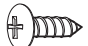
# Step 15

①  2PCS  
Ø4×22mm

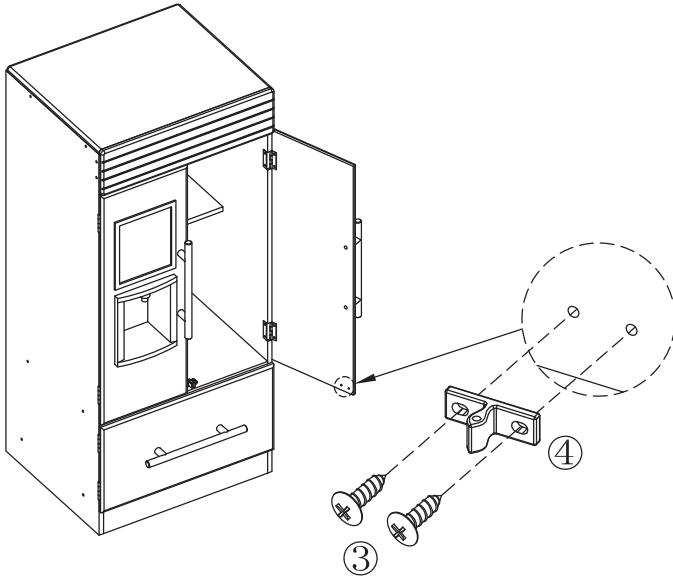
⑩  1PC



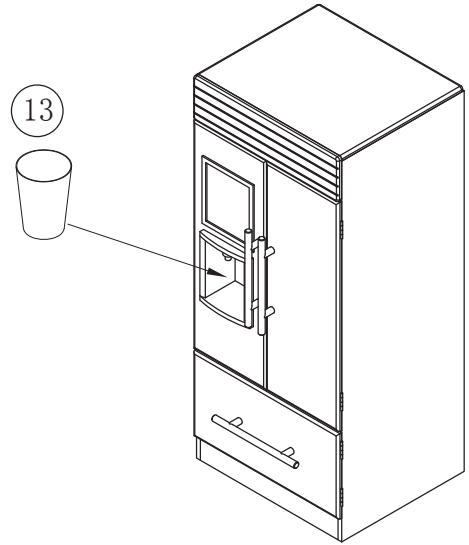
## Step 16

③  2PCS  
Ø3×9mm


④  1PC

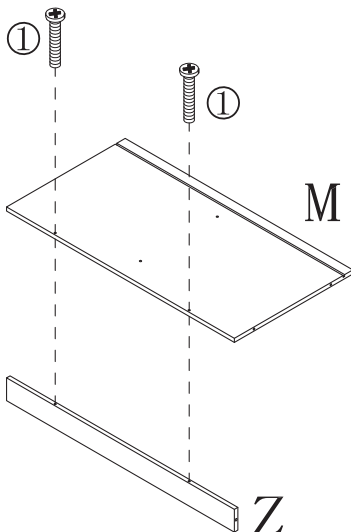


## Step 17




## Step 18

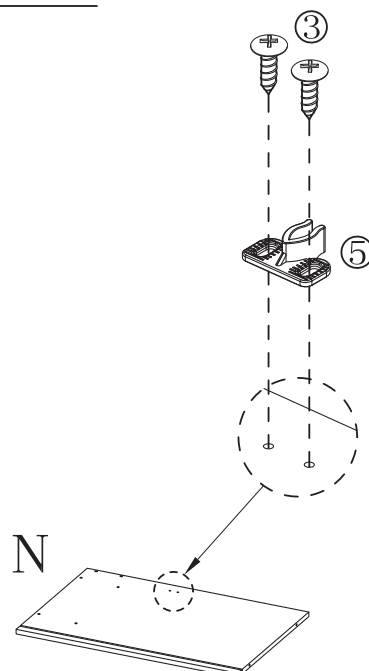
①  2PCS  
Ø4×22mm



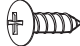
## Step 19

③  2PCS  
Ø3×9mm

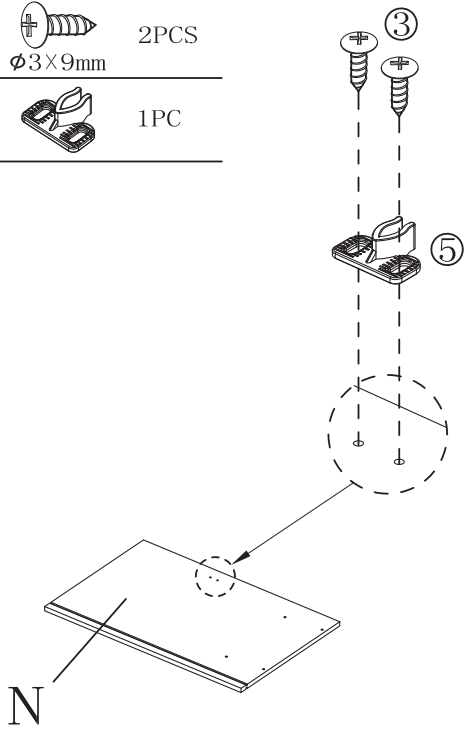
⑤  1PC




## Step 20


③  2PCS  
Ø3×9mm

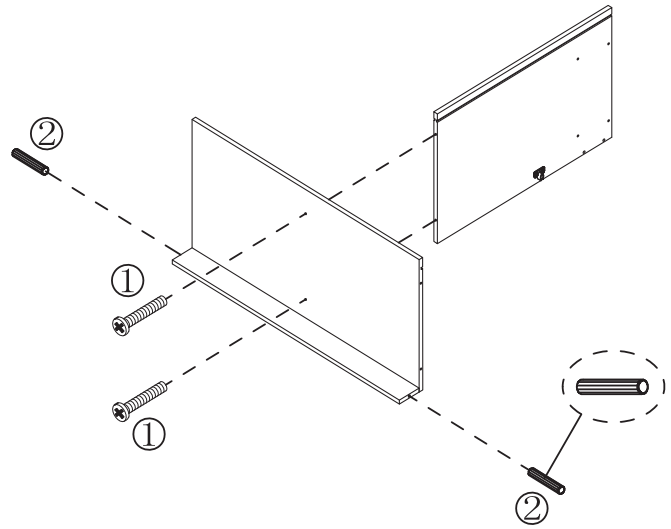
⑤  1PC




## Step 21

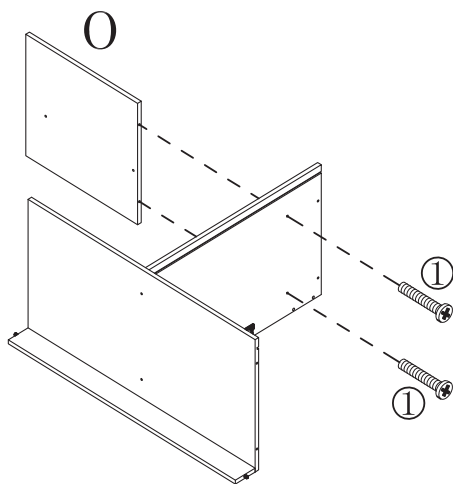
①  2PCS  
Ø4×22mm

②  2PCS  
Ø5×30mm

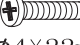


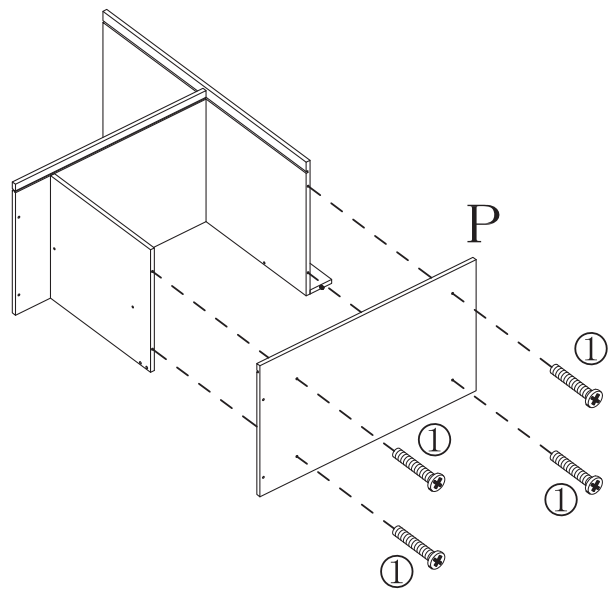
## Step 22

①  2PCS  
Ø4×22mm




## Step 23

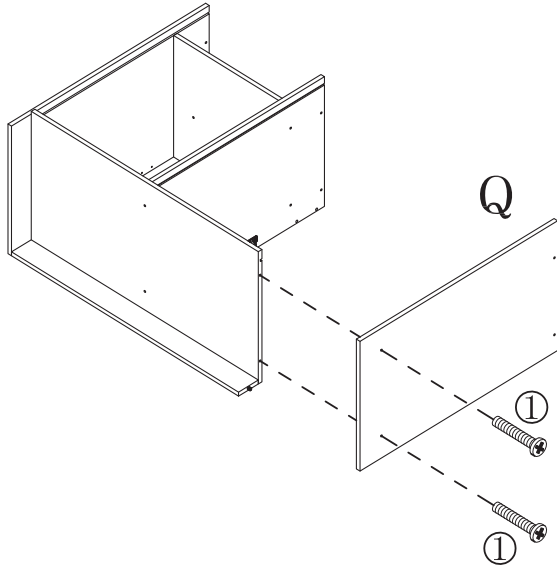
①  4PCS  
Ø4×22mm






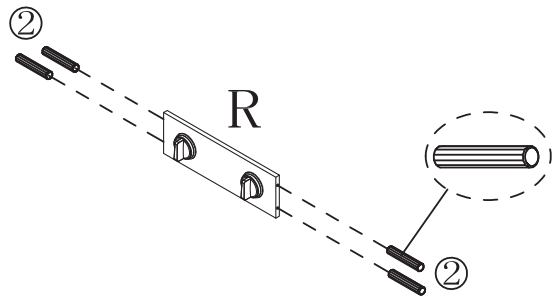
# Step 24

- ①  2PCS  
φ4×22mm

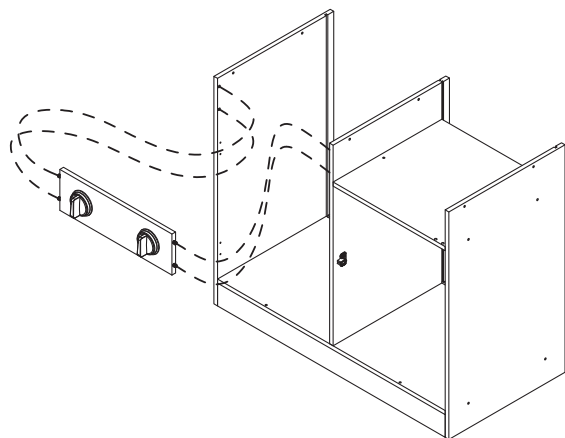


# Step 25

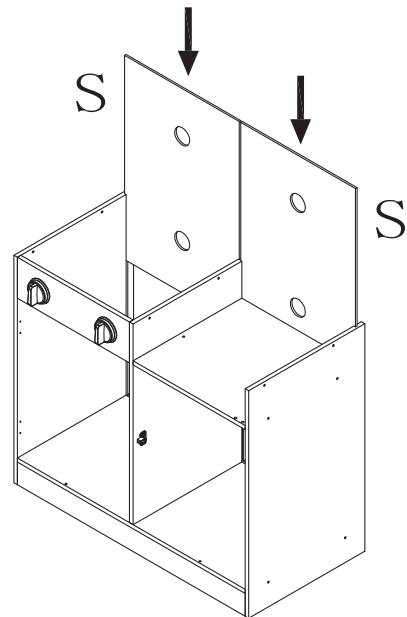
- ②  4PCS  
φ5×30mm




# Step 26

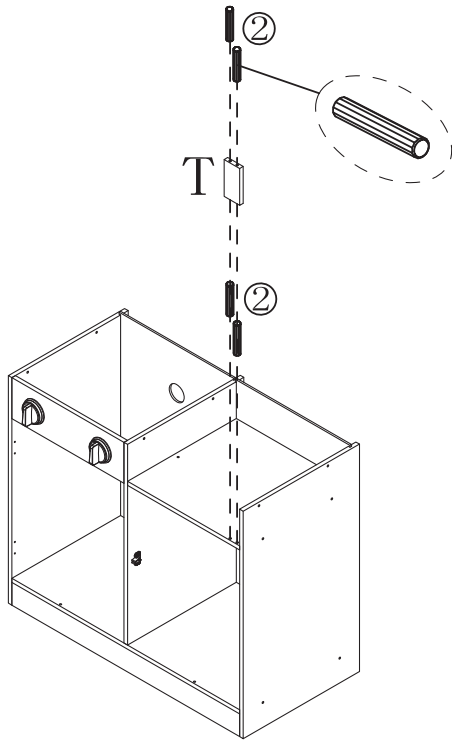


# Step 27






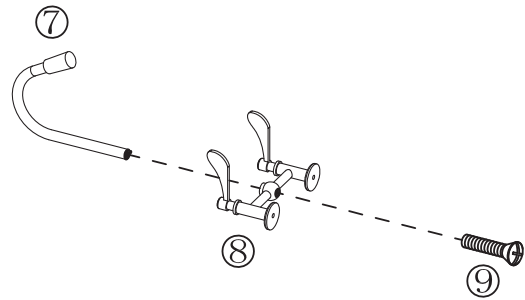
## Step 28

- ②  4PCS  
φ5×30mm

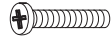


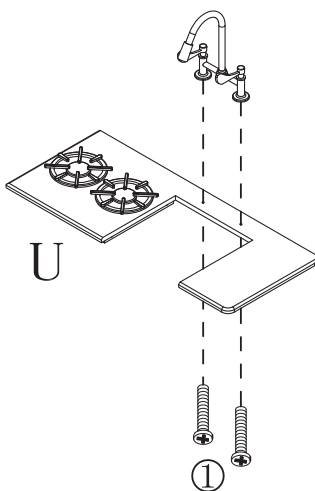
## Step 29

- ⑦  1PC  
⑧  1PC  
⑨  1PC  
M6×25mm

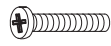


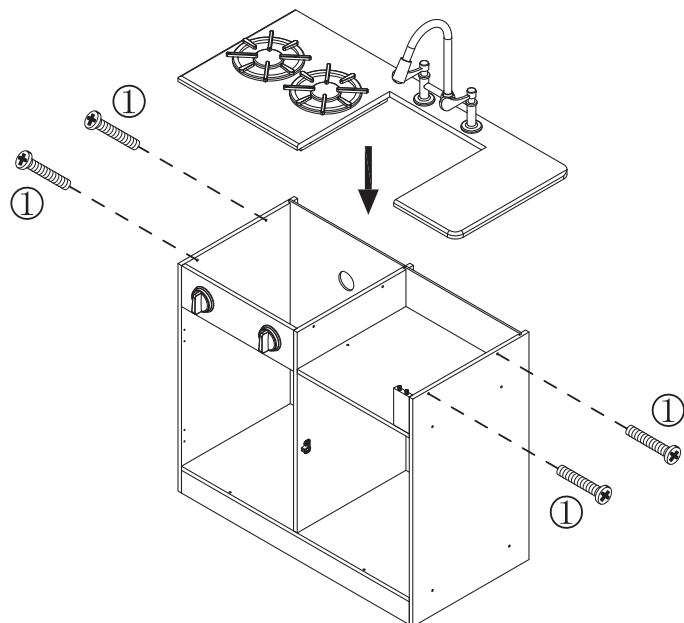
## Step 30

- ①  2PCS  
φ4×22mm




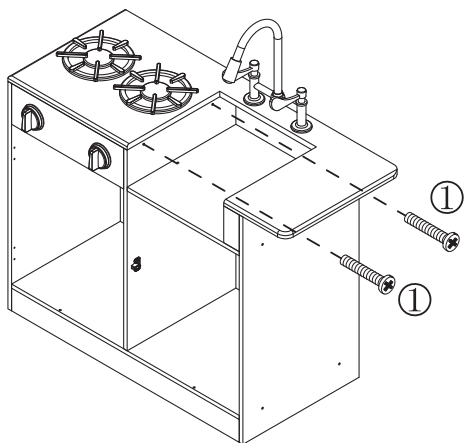
## Step 31

- ①  4PCS  
φ4×22mm




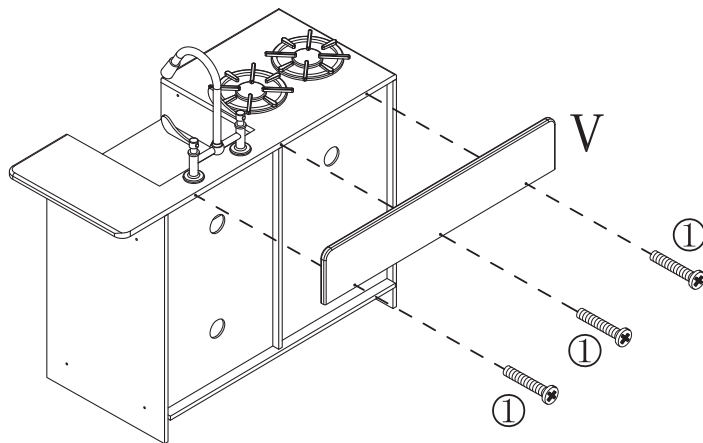
## Step 32

- ①  2PCS  
Ø4×22mm




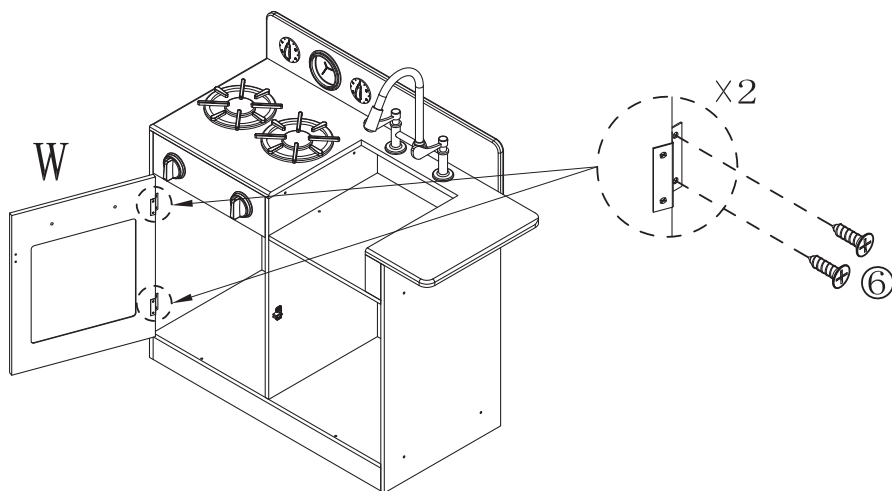
## Step 33

- ①  3PCS  
Ø4×22mm

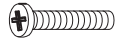



## Step 34

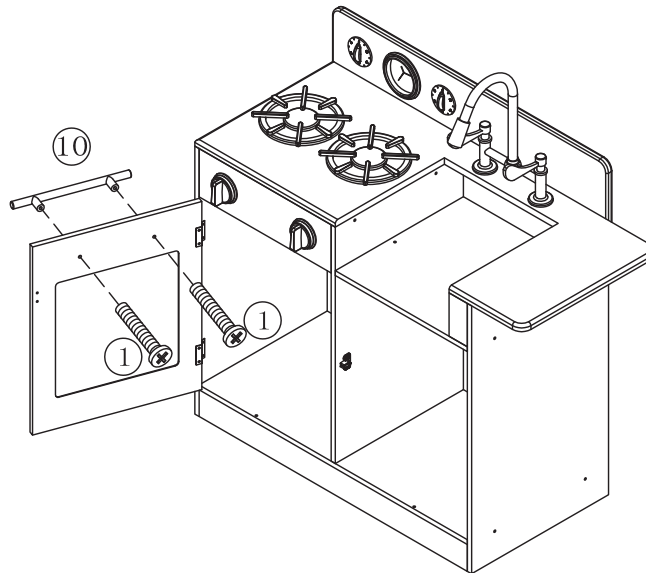
- ⑥  4PCS  
Ø3×8mm




## Step 35

①  2PCS  
Ø 4×22mm

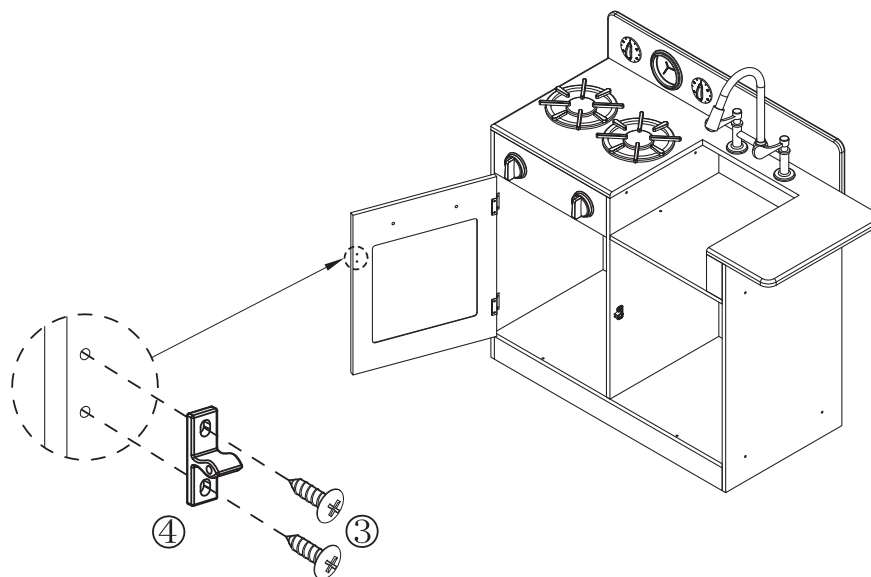
⑩  1PC



## Step 36

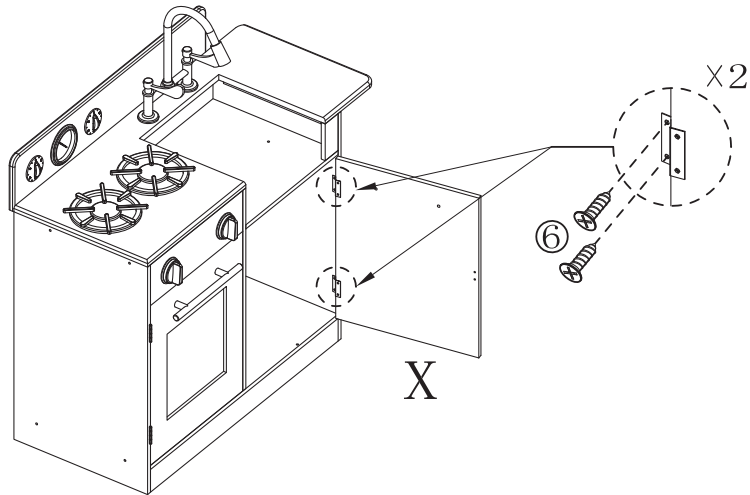
③  2PCS  
Ø 3×9mm

④  1PC

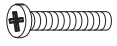


## Step 37

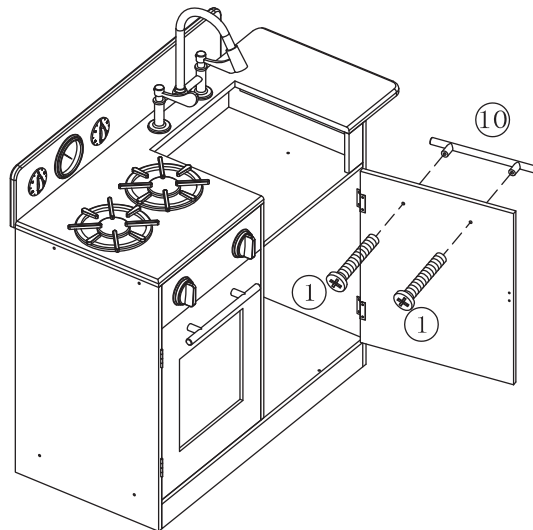
- ⑥  4PCS  
Ø3×8mm



## Step 38

- ①  2PCS  
Ø4×22mm

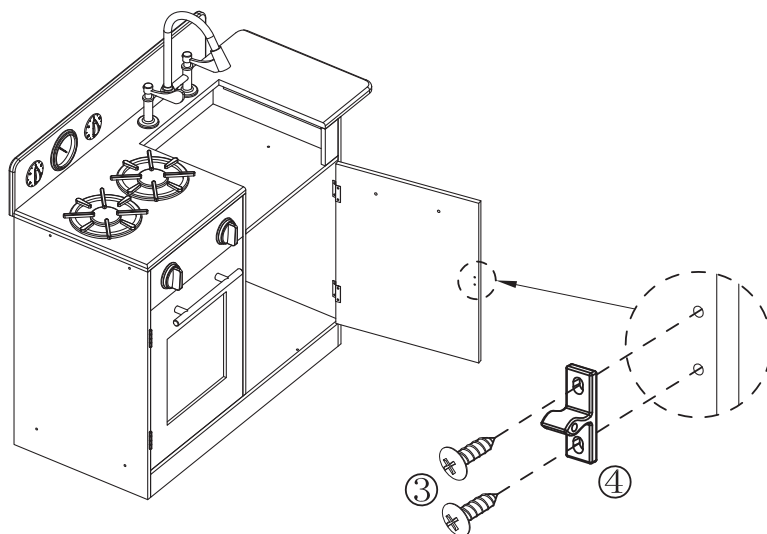
- ⑩  1PC



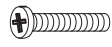
## Step 39

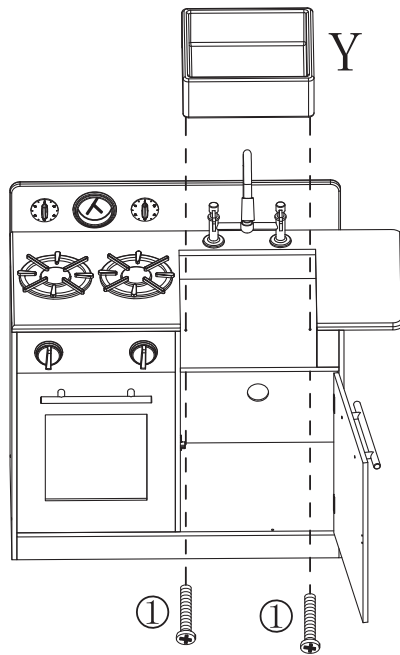
- ③  2PCS  
Ø3×9mm

- ④  1PC

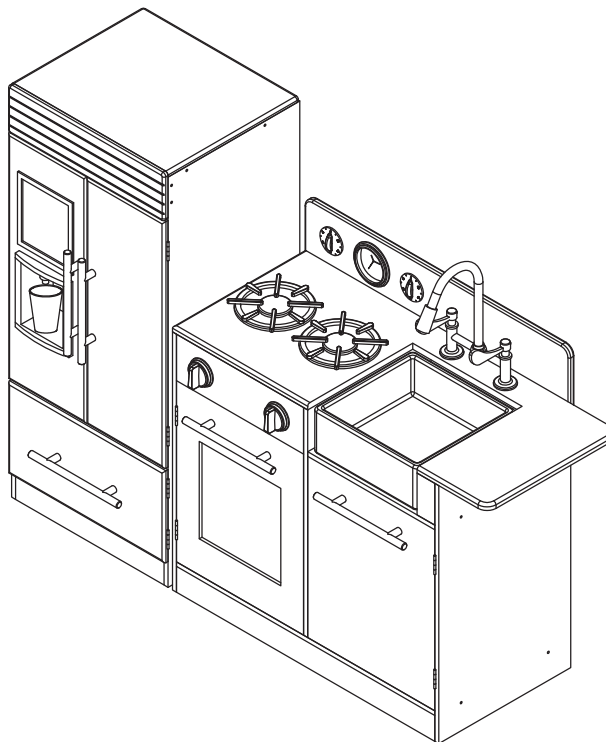


# Step 40

①  2PCS  
φ4×22mm



# Step 41



MADE IN CHINA